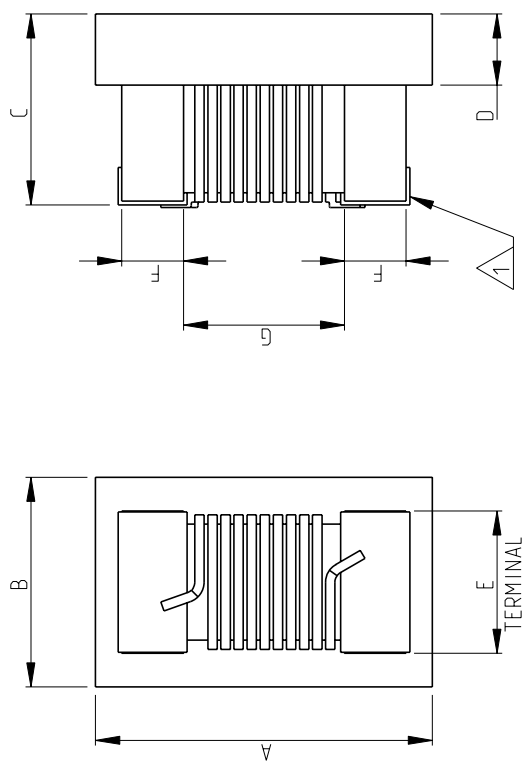


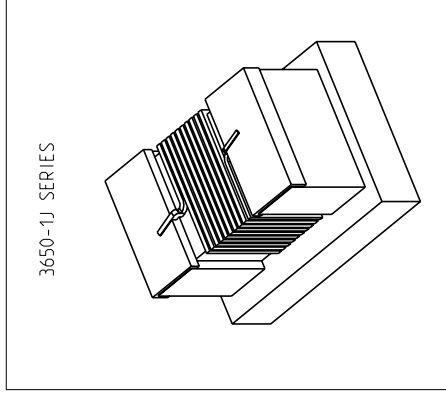
LOC	DIST	REVISIONS	
E	B	DESCRIPTION	DATE
		BA1 REVISED PER ECO-11-005150	29MAR2011
P	LTR	DWN	APVD
	BA1	RK	HMR

SERIES 3650-1J, 3650-2A AS SHOWN



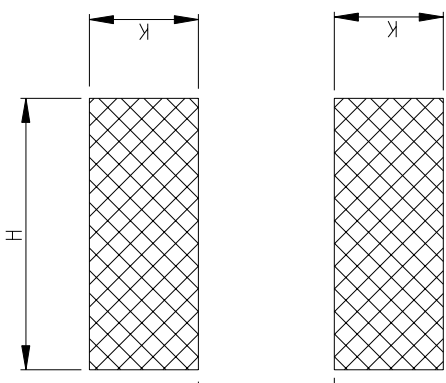
- 1 TERMINAL WRAPAROUND APPROX 0.007" (0.18mm) BOTH ENDS
- 2 AVAILABLE IN 2 DIFFERENT SERIES
- 3 FOR FURTHER INFORMATION SEE DATA SHEET FOR 3650 SERIES-LOW INDUCTANCE, HIGH FREQUENCY CHIP INDUCTOR

RoHS Compliant



3650-1J	1.80	1.12	1.02	0.38	0.76	0.33	0.86	1.02	0.64	0.64
3650-2A	2.29	1.73	1.52	0.51	1.27	0.51	1.02	1.78	1.02	0.76
SERIES	A Max.	B Max.	C Max.	D ref	E	F	G	H	K	J

RECOMMENDED LAND PATTERN FOR 3650-2A, 3650-1J SERIES



THIS DRAWING IS A CONTROLLED DOCUMENT.

DWN	SUBHASH.M	03-AUG-09
CHK	ALLAN.P	03-AUG-09
APVD	STEPHEN.P	03-AUG-09
PRODUCT SPEC	NAME	
APPLICATION SPEC	RESTRICTED TO	
WEIGHT	DRAWING NO	
MATERIAL	A3 00779	
CUSTOMER DRAWING		

STE TE Connectivity

LOW INDUCTANCE, HIGH FREQUENCY CHIP INDUCTOR SERIES 3650

SCALE NTS

SHEET 1 OF 1

REV BA1